

17 & 20
kW

POWERPROTECT.

Standby Generators

RESIDENTIAL STANDBY GENERATORS SPECIFICATIONS



BRIGGS & STRATTON



Want the power with less weekly noise? We've got you covered with our 17kW¹ and 20kW¹ generators. Sleeker, quieter and more powerful than ever before, these units are designed to keep your whole home powered no matter what's going on outside.

FEATURES



Warranty

6-Year limited warranty of parts, labor, and travel included for the entire term. The industry's most comprehensive warranty over time.²



Highest Rated Power Output in Its Class

Designed to provide the most power in their class on natural gas installations.³



Assembled and Engineered in USA

Briggs & Stratton generators are designed and assembled in the USA.⁴



Commercial-Grade Vanguard® Engine

Powerful engine built in the USA for commercial applications providing power for electronics.



Quiet Weekly Test Mode

Over 65% quieter during weekly test mode.⁵



Flexible Installation & Maintenance

Approved for installation as close as 18" to a building⁶ with easy toolless panel removal for serviceability and maintenance.



Power Management System (optional)

Customizable to your home's power needs, the Symphony® II Power Management system offers prioritized whole house power with a more affordable standby generator.



Corrosion Resistant Enclosure & Base

Automotive-grade galvanized steel base and aluminum enclosure to resist rust, and powder-coated paint for years of protection against chips and abrasions.

17&20

kW

POWERPROTECT.

Standby Generators

RESIDENTIAL STANDBY GENERATORS SPECIFICATIONS



BRIGGS&STRATTON

Generator Set Rating		
Model Name	PP17	PP20
Model Number	040661	040662
Running Power (Liquid Propane/Natural Gas) kW ¹	17 / 17	20 / 20
Running Amperage (Liquid Propane/Natural Gas) Amps	70.8 / 70.8	83.3 / 83.3
Voltage	120 / 240	
Circuit Breaker Amps	80	100

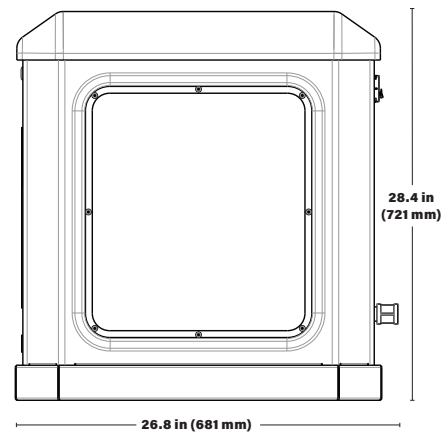
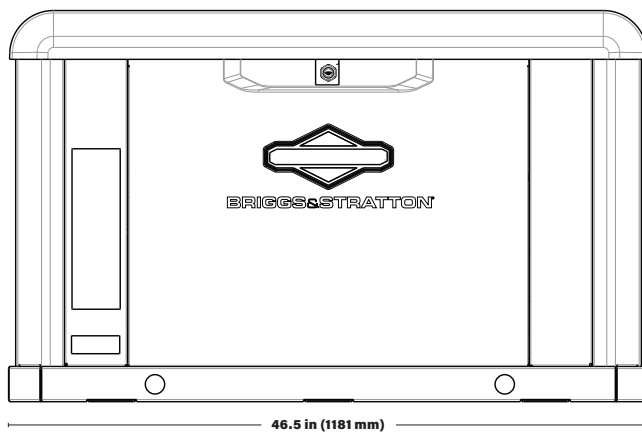
Engine	
Manufacturer	Vanguard [®]
Frequency Regulation Steady State	+/- 1.0%

Sound Rating ⁷	
Low Idle Mode Sound	65 dBA
Normal Operating Sound ⁷	68 dBA

Fuel Consumption ⁸	PP17	PP20
No Load (BTU/hr)	NG - 99,000 / LP - 100,000	NG - 99,000 / LP - 100,000
Half Load (BTU/hr)	NG - 170,000 / LP - 185,000	NG - 187,000 / LP - 208,000
Full Load (BTU/hr)	NG - 248,000 / LP - 295,000	NG - 260,000 / LP - 338,000

Available Accessories	
Engine Oil Heater	6840
Maintenance Kit	6872
Fuel Regulator Warmer	6845
Surge Protector	6631
UPS	6581

Product Dimensions	
Overall Dimensions (in / mm)	46.5 x 26.8 x 28.4 / 1181 x 681 x 721
Assembled Weight (lbs / kg)	435 / 200
Packaged Dimensions (in / mm)	48.8 x 30.5 x 50.5 / 1240 x 775 x 1283
Packaged Weight (lbs / kg)	520 / 240



¹ This generator is rated in accordance with UL (Underwriters Laboratories) 2200 (stationary engine generator assemblies) and CSA (Canadian Standards Association) standard C22.2 No. 100-14 (motor and generators).

² See operator's manual or BRIGGSandSTRATTON.com for complete warranty details.

³ 50% smaller footprint than competitors

⁴ Of global and U.S. parts

⁵ The installation manual contains specific instructions related to generator placement in addition to NFPA 37, including the requirement that carbon monoxide detectors be installed and maintained in your home or business.

⁶ Fuel consumption rates are estimated based on normal operating conditions. Generator operation may be greatly affected by elevation and the cycling operation of multiple electrical appliances – fuel flow rates may vary depending on these factors.

⁷ Per ISO 3744. Sound level measurement at other locations around generator may differ depending on installation, based on lowest microphone at 7m. Normal operation based on average household usage.

Briggs & Stratton has a policy of continuous product improvement and reserves the right to modify its specifications at any time and without prior notice.

This standby generator is not for Prime Power applications.

Published February 2023. Please visit BRIGGSandSTRATTON.com for the latest information.

BS1298 - 2/23

BRIGGS & STRATTON
POST OFFICE BOX 702
MILWAUKEE, WI 53201 USA

Copyright © 2023 Briggs & Stratton. All rights reserved.